

Professional front-mounted Grader

PTH Speedy & Speed Grader

The PTH Graders impress with their universal attachment to a wide variety of vehicles as well as with their precision and versatile use with their unrivaled maneuverability.

As an alternative to the motor grader, the PTH graders ensure perfect grading from 80 HP and are fully hydraulically controllable. The PTH Speedy can already be used with carrier vehicles from 2 tons.



min. 2 t
min. 80 HP



Standard features

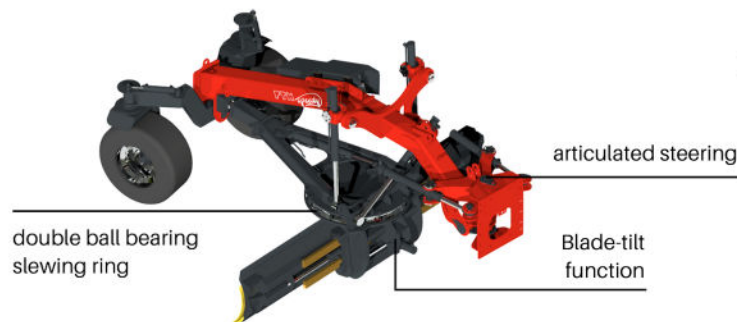
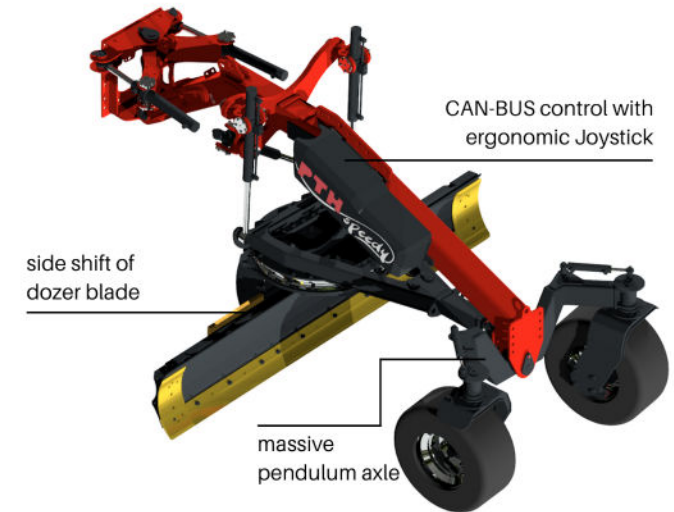
- + Stable full frame construction
- + Strong front axle design
- + Wheels 360° rotatable
- + Double ball bearing turnable
- + Load-sensing hydraulic control block
- + Articulated joint with 45° steering angel
- + Hydraulic blade tilt function
- + Replaceable cutting edge
- + Blad anti-wear protection on the side
- + CAN bus control system with joystick
- + 12V or 24V voltage

Technical details

	Speed Grader	Speedy
Required carrier vehicle	min. 6 t	min. 2 t
Power requirement	min. 130 HP	min. 80 HP
Required hydraulic power min.	40 l, 210 bar	
Dead weight approx.	4.400 kg	2.100 kg
Total length	4.800 mm	4.000 mm
Blade length	3.000 3.600 mm	3.000 mm
Blade rotating range	+/- 65°	+/- 50°
Blade shunting	left/right 600 mm	left/right 450 mm
max. slope angle	left/right 60°	left/right 47°
max. travel over ground level	550 mm	270 mm
max. digging depth	300 mm	290 mm

Special equipment

- Hydraulic power steering
- Front blade (Speed Grader)
- Run-off plates left/right
- Hydraulic run-off plate
- TRIMBLE © or LEICA © mounting kit
- Working light
- Adaptor plate for carrier vehicle
- Serrated strip on dozer blade hydraulic & fixed
- Special paint according to RAL specification



individually customized adapter plate to the carrier vehicle

